

SANDERS PULSED POWER LLC  
 1400 E Angela Blvd  
 Suite 310  
 South Bend, IN 46617  
 630-313-2378  
[www.sanderspulsedpower.com](http://www.sanderspulsedpower.com)  
[info@sanderspulsedpower.com](mailto:info@sanderspulsedpower.com)



## SPPD-1-30 High Speed Pulsed Power Diode



The SPPD-1 series diodes are designed for pulsed power applications where high peak current and fast recovery are required.

These diodes can be used as freewheeling or clamping diodes in high voltage applications.

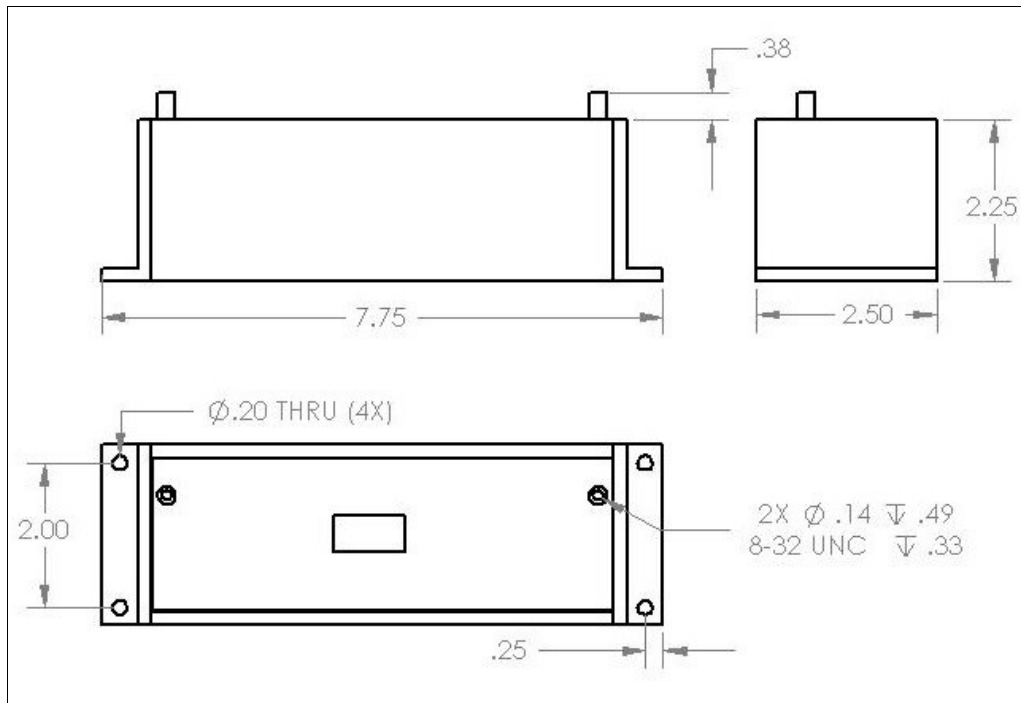
PRELIMINARY

### OPERATIONAL RATINGS

Parameter		Value	Unit
Peak Blocking Voltage	$V_{RRM}$	30	kV
DC Blocking Voltage	$V_R$	25	kV
Peak Forward Current (half sine, 60 Hz)	$I_{FSM}$	500	A
Peak Surge Current (10 $\mu$ s, 3 Hz)	$I_{FRM}$	3750	A
Maximum Average Current	$I_{F(AV)}$	1	A
Avalanche Energy (single pulse)	$E_A$	1.2	J
Operating Temperature Range	$T_J$	0-70	$^{\circ}$ C
Forward Voltage Drop (75 A)	$V_F$	80	V
Leakage Current ( $V_R = 25$ kV)	$I_R$	750	$\mu$ A
Reverse Recovery Time	$T_{RR}$	100	ns
Capacitance	$C_{AK}$	80	pF

Figure 1: SPPD-1-30 Dimensions

SANDERS PULSED POWER LLC  
1400 E Angela Blvd  
Suite 310  
South Bend, IN 46617  
630-313-2378  
[www.sanderspulsedpower.com](http://www.sanderspulsedpower.com)  
[info@sanderspulsedpower.com](mailto:info@sanderspulsedpower.com)



Dimension in Inches

Specifications subject to change.